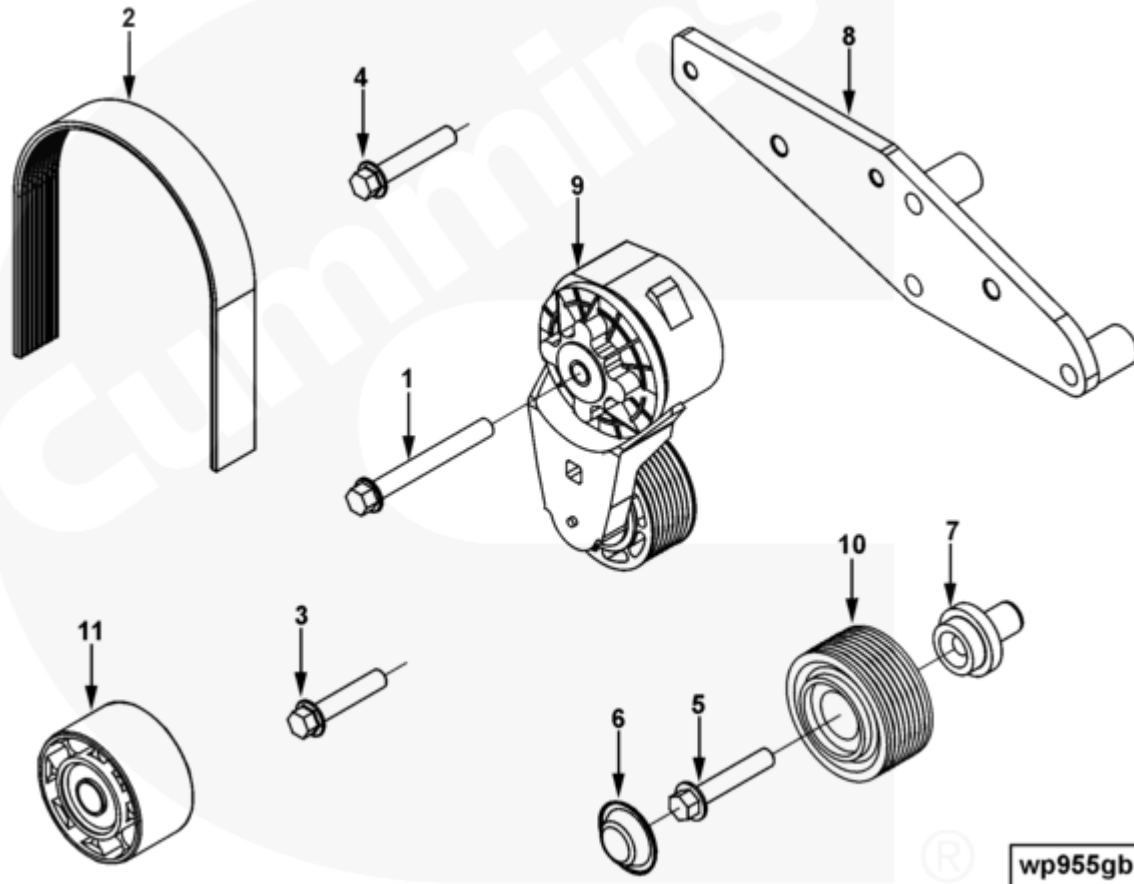




Parts Catalog - Option Detail

Electronic Parts Catalog - Option Detail				
Option	Group	Graphic	Film Card	Date
WP9113-10	08.01	wp955gb	Z	12-OCT-07
Engines	6C8.3, C GAS PLUS CM556, G8.3, G8.3 CM558, GTA8.3 CM558, ISC CM2150, ISC CM554, ISC CM850, ISC8.3 CM2250, ISC8.3 G CM2180 C101, ISL CM2150, ISL CM554, ISL CM850, ISL G CM2180, ISL8.9 CM2150 L110, ISL8.9 CM2880 L112, ISL9 CM2150 SN, ISL9 CM2250, ISL9 CM2350 L101, ISL9 CM2350 L111, ISLE4 CM850, L GAS PLUS CM556, L8.9, L8.9 L121, L8.9G CMOH2.0 L125B, L9 CM2350 L116B, L9 CM2350 L119B, L9 CM2350 L120C, L9 CM2350 L123B, L9.3 L105, L9.5 L117, L9N CM2380 L124B, QSC8.3 CM2250, QSC8.3 CM2880 C102, QSC8.3 CM554, QSC8.3 CM850(CM2850), QSL9 CM2250, QSL9 CM2250 L115, QSL9 CM2350 L102, QSL9 CM2350 L107, QSL9 CM2350 L118, QSL9 CM2350 L122, QSL9 CM554, QSL9 CM850(CM2850), QSL9 G CM558, QSL9 M CM2250 L106, QSL9.3 CM2880 L113			



SMALL | MEDIUM | LARGE

Cart	Ref No	Part Number	Part Description	Required	Remarks
View My Cart					
		WP9113-10	Water Pump Drive		MR - DRIVE, WATER PUMP...(More)
					Engine Family: C & L Series

				Belt Length (mm): 1651
				Belt Type: Poly V 8 Rib K
				Crank Pulley Diameter Over
				2.5 mm Balls (mm): 199.42
				Supports FEAD Combination As
				Follows:
				Tensioner Pulley Centerline
				from Engine Centerline
				(mm): -177.25
				Tensioner Pulley Centerline
				from Crank Centerline
				(mm): 65.56
				Tensioner Pulley Diameter
				Over 2.5mm Balls (mm): 73.99
				Tensioner Pulley Type:
				Grooved
				Water Pump Centerline from
				Engine Centerline (mm): -137
				Water Pump Pulley Centerline
				from Crank Centerline
				(mm): 198
				Water Pump Pulley Diameter
				(mm): 93.5
				Water Pump Pulley Type:
				Smooth
				Alternator Centerline from
				Engine Centerline
				(mm): -307.8
				Alternator Centerline from

					Crank Centerline (mm): 293.5
					Alternator Pulley Diameter
					Over 2.5 mm Balls
					(mm): 66.46
					#1 Idler Pulley Centerline
					from Engine Centerline
					(mm): -153
					#1 Idler Pulley Centerline
					from Crank Centerline
					(mm): 333
					#1 Idler Pulley Diameter Over
					2.5 mm Balls (mm): 74
					#1 Idler Pulley Type:
					Smooth
					#2 Idler Pulley Centerline
					from Engine Centerline
					(mm): 0
					#2 Idler Pulley Centerline
					From Crank Centerline
					(mm): 320
					#2 Idler Pulley Diameter Over
					2.5 mm Balls (mm): 73.96
					#2 Idler Pulley Type:
					Grooved
					Fan Drive Location: None
<input type="checkbox"/>	1	3282433	Hexagon Flange Head Cap Screw	1	M10 X 1.50 X 85.
<input type="checkbox"/>	2	3289056	V Ribbed Belt	1	
<input type="checkbox"/>	3	3900634	Hexagon Flange Head Cap Screw	3	M10 X 1.50 X 50.
<input type="checkbox"/>	4	3900635	Hexagon Flange Head Cap Screw	2	M10 X 1.50 X 60.

5					Not Used In This Option
<input type="checkbox"/>	6	3921533	Debris Shield	2	
<input type="checkbox"/>	7	3935229	Idler Shaft	2	
<input type="checkbox"/>	8	3967720	Idler Pulley Bracket	1	
<input type="checkbox"/>	9	3970822	Belt Tensioner	1	
<input type="checkbox"/>	10	4991240	Idler Pulley	1	
<input type="checkbox"/>	11	3978324	Idler Pulley	1	

© 2019 Cummins Inc., Box 3005, Columbus, IN 47202-3005 U.S.A.
Terms of Use and Disclaimers | Recommended System Requirements
Need Assistance? Please click on the Contact Us button in the top right corner of any page.